

# FRISKVAND



## DCM-60KE / DCM-120KE ICE/WATER DISPENSERS

### Product Description

The DCM-60KE and DCM-120KE are ice/water dispensers which can produce the following combinations: cubelet ice, cubelet ice and water or dispense only water. The ice/water dispensing system can be used for multiple environments including food and beverage, leisure and healthcare.



- Portion control can be easily set, making it easy to regulate the consumption of ice among end-users, reducing energy consumption and waste.
- Hoshizaki ice dispensers are more compact with reduced space requirements and in line with modern interiors.
- Ice dispensing system includes lever and LED operation buttons, easy and simple to use, therefore ideal for self-serving environment.
- New lever design prevents touching the lip of a glass, minimising risk of bacterial transfer.

### Available Models

DCM-60KE (Air Cooled)
DCM-120KE (Air Cooled)

### Ice

Model	Shape
DCM-60KE	Cubelet (Compressed Flake Ice)
DCM-120KE	Cubelet (Compressed Flake Ice)



### Bins

Model	Type of Bin	Bin Capacity
DCM-60KE	Self contained	Approx. 1.9 kg
DCM-120KE		Approx. 4.0 kg

### Production

Model	Ice Production per 24h	Temperature	Ice Dispensing Rate per 30min / 1h (40g/cup)	Water Consumption per 24h
DCM-60KE	Approx. 60 kg Approx. 50 kg Approx. 38 kg	AT.10°C, WT.10°C	78 / 110 cups	Approx. 0,060m <sup>3</sup>
		AT.21°C, WT.15°C	73 / 99 cups	Approx. 0,050m <sup>3</sup>
		AT.32°C, WT.21°C	67 / 87 cups	Approx. 0,038m <sup>3</sup>
DCM-120KE	Approx. 125 kg Approx. 105 kg Approx. 85 kg	AT.10°C, WT.10°C	165 / 230 cups	Approx. 0,125m <sup>3</sup>
		AT.21°C, WT.15°C	154 / 209 cups	Approx. 0,105m <sup>3</sup>
		AT.32°C, WT.21°C	144 / 188 cups	Approx. 0,085m <sup>3</sup>

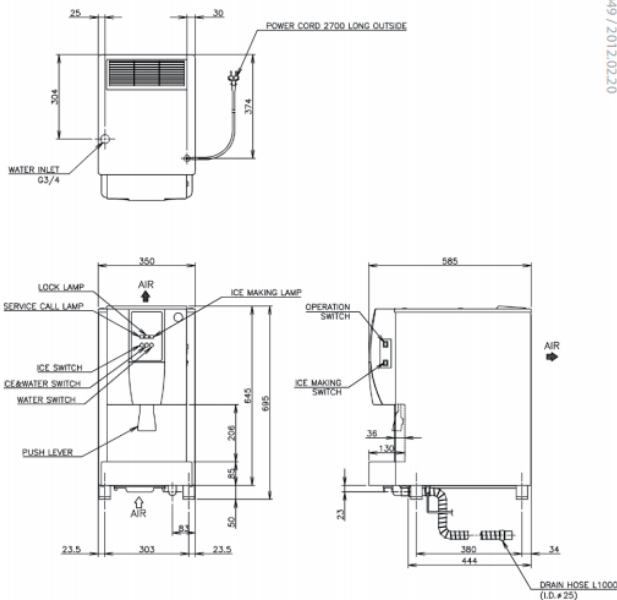
# FRISKVAND



# HOSHIZAKI

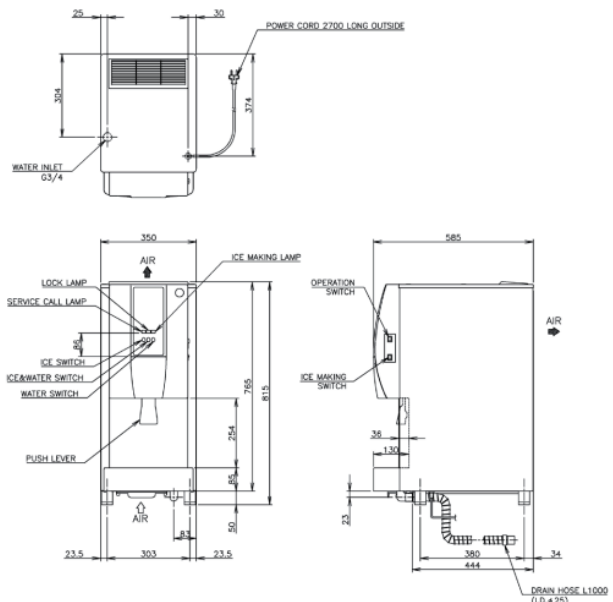
## DCM-60KE / DCM-120KE ICE/WATER DISPENSERS

DCM-60KE



D11049 / 2012.02.20

DCM-120KE



D11052 / 2012.02.20

Specification	DCM-60KE	DCM-120KE
<b>Power Supply</b>	1 Phase 220-240 / 50Hz Capacity: 0.60 kVA (2.6A)	1 Phase 220-240 / 50 Hz Capacity: 0.84 kVA (3.7A)
<b>Amperage (AT.32°C, WT.21°C)</b>	1.5A Starting: 9.5A	2.8 A Starting: 12.6A
<b>Electric Consumption</b>	280W (Power Factor: 81%)	480 (Power Factor: 74%)
<b>Exterior</b>	Stainless Steel (Side, Rear) ABS Molding (Front, Top, Drain Pan)	Stainless Steel (Side, Rear) ABS Molding (Front, Top, Drain Pan)
<b>Insulation Foam / Blowing Agent</b>	HFC-245fa, 365mfc	HFC-245fa, 365mfc
<b>Connection - Electric</b>	Y-Type Connection	Y-Type Connection
<b>Connection - Water Supply</b>	Direct Connection to Water Main, Inlet G3/4"(Bottom)	Direct Connection to Water Main, Inlet G3/4"(Bottom)
<b>Connection - Drain</b>	Drain Hose, I.D. ø 25mm (Bottom)	Drain Hose, I.D. ø 25mm (Bottom)
<b>Ice Making System</b>	Thin ice forming inside Cylinder	Thin ice forming inside Cylinder
<b>Ice Dispensing System</b>	Push Lever and Solenoid (with Select Switch) Portion control by Dispense Switch	Push Lever and Solenoid (with Select Switch) Portion control by Dispense Switch
<b>Compressor</b>	Hermetic	Hermetic
<b>Condenser</b>	Fin and Tube type, Air-cooled	Fin and Tube type, Air-cooled
<b>Heat Rejection (AT.32°C, WT.21°C)</b>	460 W	980 W
<b>Refrigerant</b>	R134a	R134a
<b>Evaporator</b>	Tube coiled around Cylinder (Solder Plated)	Tube coiled around Cylinder (Solder Plated)
<b>Ice Making Water Control</b>	Float Switch and Water Valve	Float Switch and Water Valve
<b>Water Dispensing System</b>	Push Lever and Water Valve (with Select Switch)	Push Lever and Water Valve (with Select Switch)
<b>Electrical Circuit Protection</b>	10A Circuit Breaker	10A Circuit Breaker
<b>Refrigerant Circuit Protection</b>	Compressor Internal Thermostat Condensing Temperature detected by Thermistor (Auto-reset)	Compressor Internal Thermostat Condensing Temperature detected by Thermistor (Auto-reset)
<b>Interlock</b>	Shutdown by Microprocessor (Manual-reset)	Shutdown by Microprocessor (Manual-reset)
<b>Dimensions Product excl. Packaging</b>	350 x 585 x 695-710 (W x D x H, mm)	350 x 585 x 815-830 (W x D x H, mm)
<b>Dimensions Product incl. Packaging</b>	440 x 655 x 931 (W x D x H, mm)	440 x 655 x 1051 (W x D x H, mm)
<b>Weight Gross / Net</b>	56 kg / 47 kg	66 kg / 57 kg

Operation Conditions	
<b>Ambient Temperature</b>	5 - 40°C
<b>Water Supply Temperature</b>	5 - 35°C
<b>Water Supply Pressure</b>	0,05-0,78MPa
<b>Voltage Range</b>	Rated Voltage ± 6%

Accessories
Installation Kit
Brush